

Technical Manual

IS6DT Performance™ Series



ACOUSTIC & ELECTRICAL SPECIFICATIONS:

- Nominal Impedance 8 Ohms nominal per input
- Max Amp Power 100 Watts total* (50WPC)
- Frequency Response 40Hz – 20kHz (-10dB)
- Sensitivity 88dB (2.83V @ 1 meter), Both channels driven
- Crossover Frequency 2,600Hz

SYSTEM COMPONENTS:

- Grille 329-060-00780-0WAE
- Woofer/Tweeter Assembly CS60RDT-BK-P
- Woofer 6-1/2" (165mm) Titanium-laminate cone w/rubber surround
- DC Resistance 5.5 Ohms, ±10%, Each
- Tweeter Dual 3/4" (19mm) titanium-laminate domes, w/swivel mount
- DC Resistance 4.8 Ohms, ±10%, Each
- Crossover Network 013-7600-05196-E

AURAL SWEEP TEST SPECIFICATIONS:

- System Aural Sweep Test 6.0V Input 40Hz to 20kHz
- L.F. Aural Sweep Test 5.0V Input 40Hz to 3kHz
- H.F. Aural Sweep Test 2.83V Input 2kHz to 20kHz

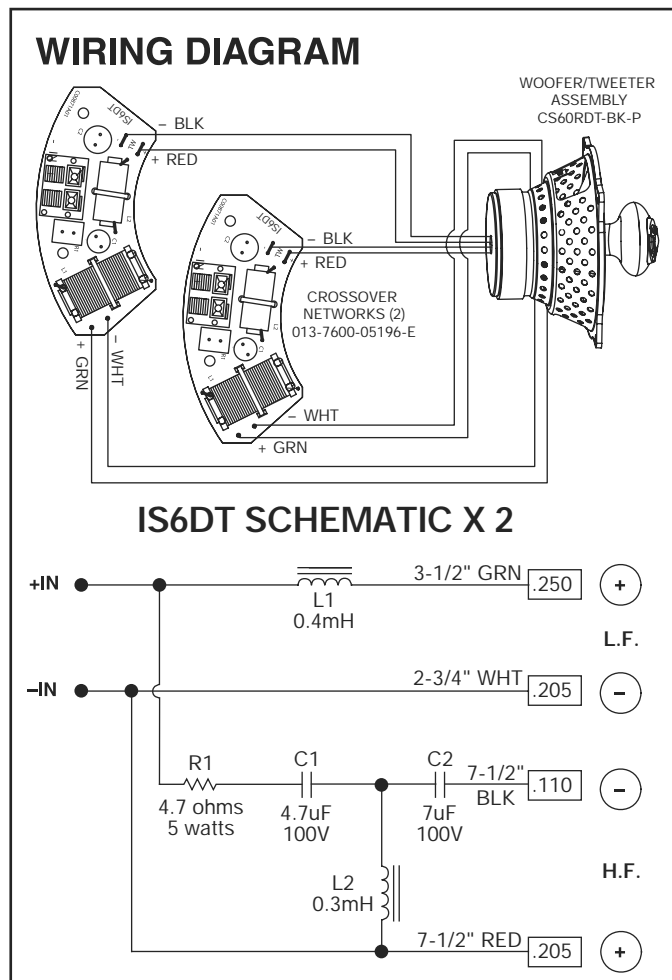
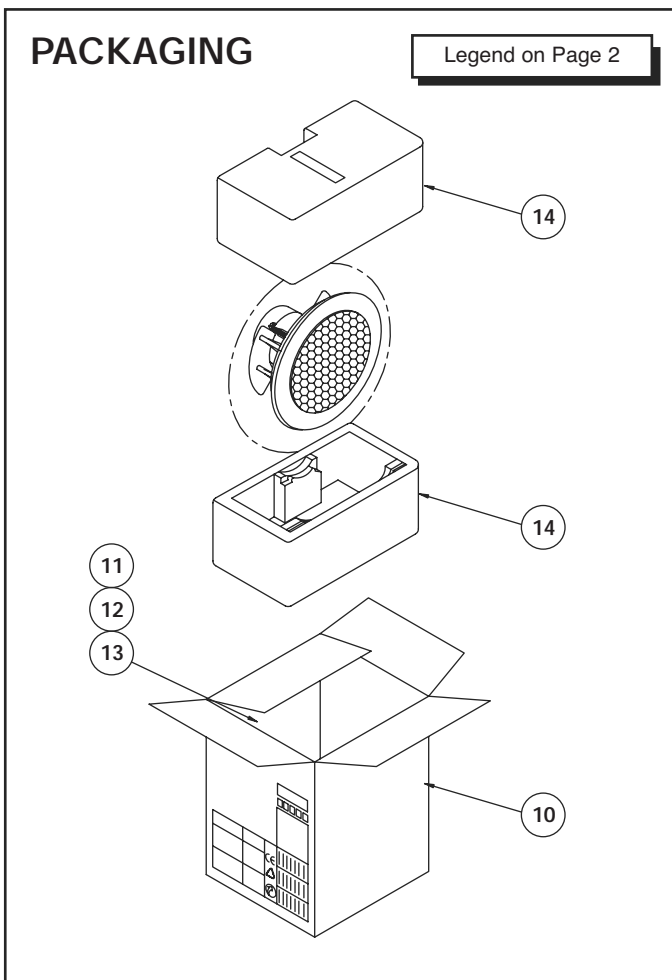
PHYSICAL SPECIFICATIONS:

- Plate Size (Diameter) 9-3/16" (233mm)
- Mounting Cutout Size (Diameter) 7-7/8" (200mm)
- Mounting Depth 4-1/4" (108mm)
- Weight 4 lb (1.8kg) Each

WARRANTY:

- Refer to Warranty Statement packed with each product.

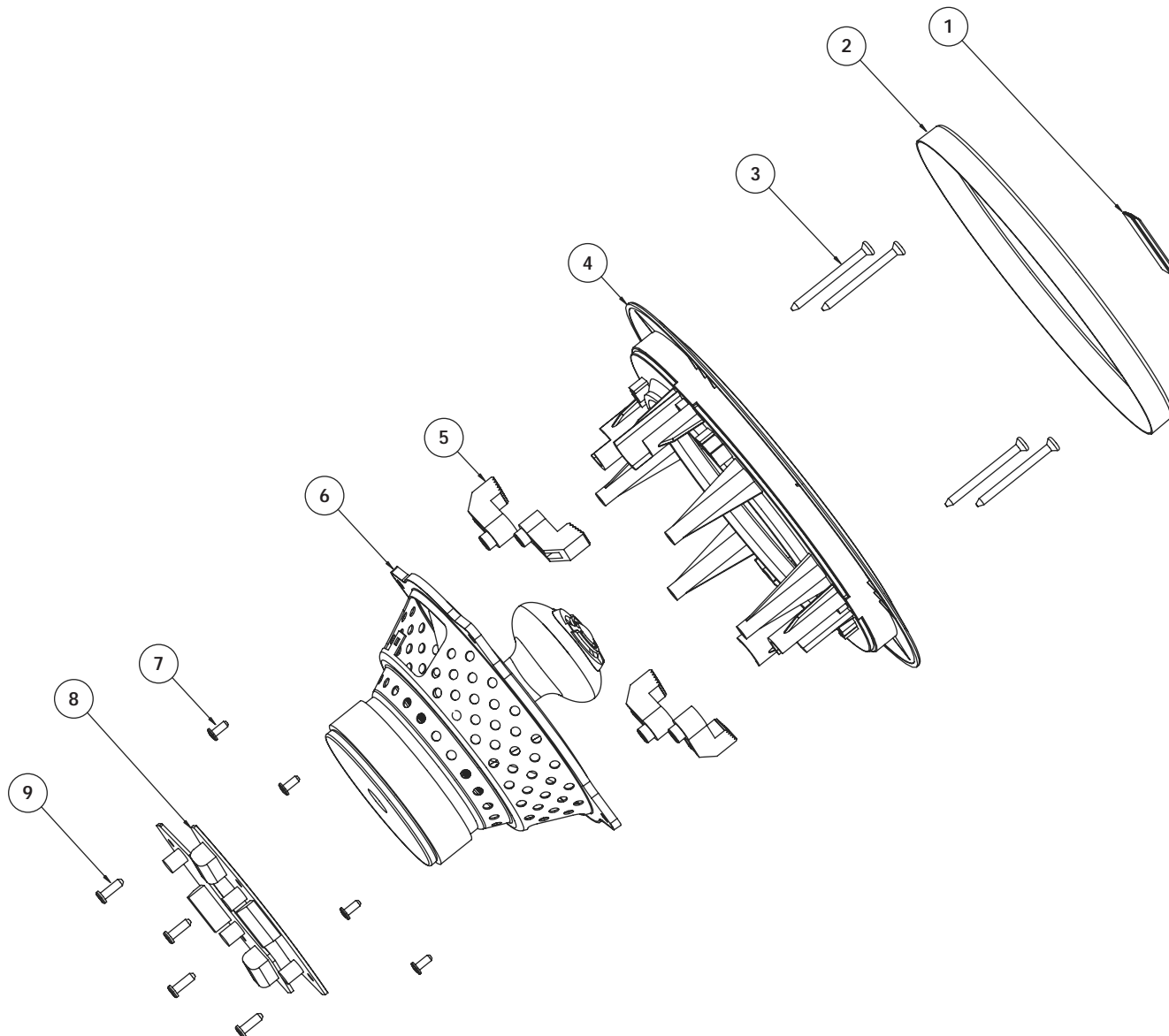
* The maximum recommended amplifier power rating will ensure proper system headroom to allow for occasional peaks. We do not recommend sustained operation at these maximum power levels.



IS6DT Performance™ Series



EXPLODED VIEW



Item	Part No.	Description	Qty.	Item	Part No.	Description	Qty.
1	316-PC-05201-1TAE	JBL LOGO	1	8	013-7600-05196-E	CROSSOVER NETWORK	2
2	329-060-00780-0WAE	GRILLE ASS'Y	1	9	352-CM04008D144-E	SCREW, NETWORK T4*10	4
3	352-BM04050D386-E	SCREW, DOG EAR	4	10	402-000-05532-E	OUTER CARTON	1
4	301-ABS-00373-0WBE	BAFFLE ASSEMBLY	1	11	403-000-05006-E	TEMPLATE	1
5	325-ABS-00446-0BAE	DOG EAR	4	12	405-000-05008-E	WARRANTY CARD	1
6	CS60RDT-BK-P	WOOFER/TWEETER ASS'Y	1	13	406-000-05371-E	OWNER'S MANUAL	1
7	352-FM04010D462-E	SCREW, WOOFER T4*10	4	14	431-000-05054-E	EPS PACKING MATERIAL	1

IS6DT ROUGH-IN FRAME part # RIF6C